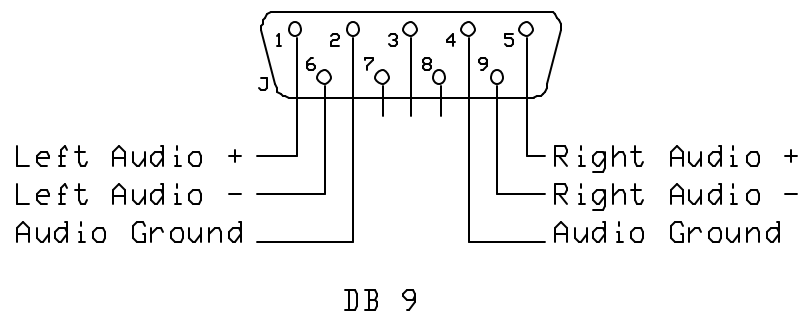
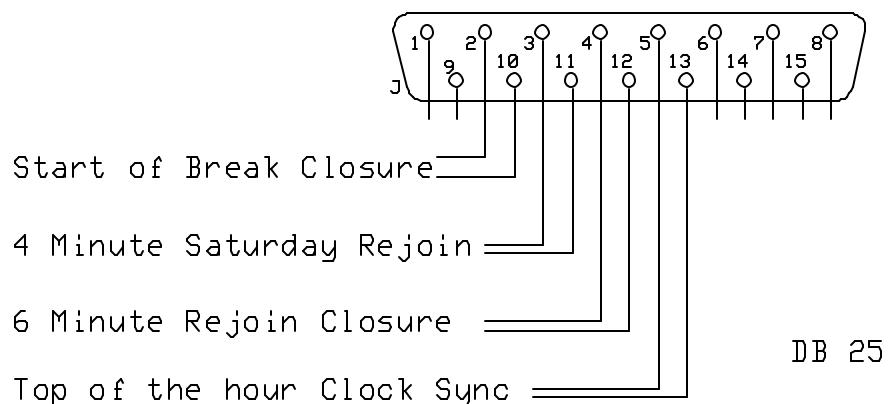


Bob and Tom Show Starguide Network Closures

Starguide Stereo Audio



Starguide Relay Wiring



Start of Break Pins 2 and 10
 4 Minute Saturday Rejoin Pins 3 and 11
 6 Minute Rejoin Pins 4 and 12
 Top of the hour clock sync Pins 5 and 13

The Bob and Tom Show		
Audio and control pinout		
Dan Mettler	Rev 1.0	Starguide
	3/30/2006	